

ZAXIS-7 series

HITACHI

Reliable solutions

ZAXIS130/135



HYDRAULIC EXCAVATOR

Model code : ZX130-7

Engine rated power : 74 kW (ISO14396) /
73 kW (ISO 9249)

Operating weight : 13 300 – 15 700 kg

Bucket ISO heaped : 0.19 - 0.66 m³

Model code : ZX135US-7

Engine rated power : 74 kW (ISO14396) /
73 kW (ISO 9249)

Operating weight : 13 800 – 16 000 kg

Bucket ISO heaped : 0.19 - 0.66 m³

SPECIFICATIONS

ENGINE

Model	TOYOTA INDUSTRIES CORPORATION 1KDE
Type	4-cycle water-cooled, common rail direct injection
Aspiration	Turbocharged, intercooled, cooled EGR
Aftertreatment	DOC+CSF system
No. of cylinders	4
Rated power	
ISO 14396 : 2002	74 kW at 2 000 min ⁻¹
ISO 9249 : 2007	73 kW at 2 000 min ⁻¹
Maximum torque	390 Nm at 1 700 min ⁻¹
Piston displacement	2.982 L
Bore and stroke	96 mm x 103 mm
Batteries	2 x 12 V / 74 Ah

HYDRAULIC SYSTEM

Hydraulic Pumps

Main pumps	2 variable displacement axial piston pumps
Maximum oil flow	2 x 117 L/min
Pilot pump	1 gear pump
Maximum oil flow	33.6 L/min

Hydraulic Motors

Travel	2 variable displacement axial piston motors
Swing	1 axial piston motor

Relief Valve Settings

Implement circuit	34.3 MPa
Swing circuit	32.3 MPa
Travel circuit	34.3 MPa
Pilot circuit	3.9 MPa
Power boost	36.3 MPa

Hydraulic Cylinders

Unit: mm

	Quantity	Bore	Rod diameter
Boom	2	105	70
Arm	1	115	80
Bucket	1	100	70
Positioning ^{*1}	1	140	95

^{*1} : For 2-piece boom

UPPERSTRUCTURE

Revolving Frame

D-section frame for resistance to deformation.

Swing Device

Axial piston motor with planetary reduction gear is bathed in oil. Swing circle is single-row. Swing parking brake is spring-set/hydraulic-released disc type.

Swing speed	13.3 min ⁻¹
Swing torque	34 kNm

UNDERCARRIAGE

Tracks

Heat-treated connecting pins with dirt seals. Hydraulic (grease) track adjusters with shock-absorbing recoil springs.

Numbers of Rollers and Shoes on Each Side

	ZX130-7 / ZX135US-7	ZX130LCN-7
Upper rollers	1	2
Lower rollers	7	7
Track shoes	44	46
Track guards	1	1

Travel Device

Each track driven by 2-speed axial piston motor. Parking brake is spring-set/hydraulic-released disc type. Automatic transmission system: High-Low.

Travel speeds	High : 0 to 5.5 km/h Low : 0 to 3.3 km/h
Maximum traction force ...	117 kN
Gradeability	70% (35 degree) continuous

ENVIRONMENT

Engine Emissions

EU Stage V

Sounds Level

ZX130-7 / ZX130LCN-7

Sound level in cab according to ISO 6396 : 2008 LpA 69 dB(A)
External sound level according to ISO 6395 : 2008 and
EU Directive 2000/14/EC LwA 98 dB(A)

ZX135US-7

Sound level in cab according to ISO 6396 : 2008..... LpA 69 dB(A)
External sound level according to ISO 6395 : 2008 and
EU Directive 2000/14/EC LwA 99 dB(A)

Air Conditioning System

The air conditioning system contains fluorinated greenhouse gases.
Refrigerant type: HFC-134a, GWP: 1430, Amount: 0.85 kg, CO₂e: 1.22 ton.

SERVICE REFILL CAPACITIES

Unit: L

	ZX130-7 / ZX130LCN-7	ZX135US-7
Fuel tank	285.0	200.0
Engine coolant	19.0	18.7
Engine oil	19.1	19.1
Swing device	3.2	3.2
Travel device (each side)	4.2	4.2
Hydraulic system	198.0	155.0
Hydraulic oil tank	82.0	61.0

WEIGHTS AND GROUND PRESSURE

Operating Weight and Ground Pressure

			ZX130 ₇				ZX130 ₇ with blade (optional)				ZX130LCN ₇			
Boom type			Monoblock		2-Piece		Monoblock		2-Piece		Monoblock		2-Piece	
Shoe type	Shoe width (mm)	Arm length (m)	kg	kPa	kg	kPa	kg	kPa	kg	kPa	kg	kPa	kg	kPa
Triple grouser	500	2.10	13 600	43	14 200	44	14 800	46	15 200	48	13 800	41	14 300	42
		2.52	13 700	43	14 200	44	14 800	46	15 300	48	13 900	41	14 400	43
		3.01	13 800	43	14 300	45	14 900	47	15 300	48	13 900	41	14 400	43
	600	2.10	13 800	36	14 400	37	15 000	39	15 400	40	14 000	34	14 500	36
		2.52	13 900	36	14 400	37	15 000	39	15 500	40	14 100	35	14 600	36
		3.01	14 000	36	14 500	38	15 100	39	15 600	41	14 200	35	14 600	36
	700	2.10	14 000	31	14 500	32	15 200	34	15 600	35	14 200	30	14 700	31
		2.52	14 100	31	14 600	32	15 300	34	15 700	35	14 300	30	14 800	31
		3.01	14 200	31	14 700	33	15 300	34	15 800	35	14 400	30	14 900	31
Pad	500	2.10	13 500	42	14 000	43	14 600	45	15 100	47	–	–	–	–
		2.52	13 600	42	14 100	44	14 700	46	15 200	47	–	–	–	–
		3.01	13 700	42	14 200	44	14 800	46	15 200	47	–	–	–	–

Including 0.52 m³ (ISO 7451 : 2007 heaped) bucket weight (410 kg) and counterweight (3 000 kg).

			ZX135US ₇				ZX135US ₇ with blade (optional)			
Boom type			Monoblock		2-Piece		Monoblock		2-Piece	
Shoe type	Shoe width (mm)	Arm length (m)	kg	kPa	kg	kPa	kg	kPa	kg	kPa
Triple grouser	500	2.10	14 300	45	14 700	46	15 300	48	15 700	49
		2.52	14 300	45	14 800	46	15 400	48	15 800	50
		3.01	14 400	45	14 800	47	15 400	48	15 900	50
	600	2.10	14 500	38	14 900	39	15 500	41	16 000	42
		2.52	14 500	38	15 000	39	15 600	41	16 000	42
		3.01	14 600	38	15 100	39	15 600	41	16 100	42
	700	2.10	14 700	33	15 200	34	15 700	35	16 200	36
		2.52	14 800	33	15 200	34	15 800	35	16 200	36
		3.01	14 800	33	15 300	34	15 900	36	16 300	37
Pad	500	2.10	14 100	44	14 600	45	15 200	47	15 600	49
		2.52	14 200	44	14 600	46	15 200	47	15 700	49
		3.01	14 300	44	14 700	46	15 300	48	15 700	49

Including 0.52 m³ (ISO 7451 : 2007 heaped) bucket weight (410 kg) and counterweight (3 550 kg).

SPECIFICATIONS

BASIC MACHINE WEIGHT AND COMPONENTS WEIGHT

Basic Machine Weight and Overall Width

Excluding front end attachment, fuel, hydraulic oil and coolant etc. Including counterweight.

Shoe Type	Shoe width (mm)	ZX130-7		ZX130-7 with blade (optional)		ZX130LCN-7	
		Weight (kg)	Overall width (mm)	Weight (kg)	Overall width (mm)	Weight (kg)	Overall width (mm)
Triple grouser	500	10 900	2 490	12 000	2 490	11 000	2 490
	600	11 100	2 590	12 200	2 590	11 300	2 590
	700	11 300	2 690	12 400	2 690	11 500	2 690
Pad	500	10 800	2 490	11 900	2 490	-	-

Shoe Type	Shoe width (mm)	ZX135US-7		ZX135US-7 with blade (optional)	
		Weight (kg)	Overall width (mm)	Weight (kg)	Overall width (mm)
Triple grouser	500	11 600	2 490	12 700	2 490
	600	11 900	2 590	12 900	2 590
	700	12 100	2 690	13 100	2 690
Pad	500	11 500	2 490	12 500	2 490

Components Weight

Unit: kg

	ZX130-7 / ZX130LCN-7	ZX135US-7
Counterweight	3 000	3 550
Monoblock boom (with arm cylinder and boom cylinder)	1 260	1 330
2-Piece boom (with arm cylinder and boom cylinder)	1 750	1 720
Arm 2.10 m (with bucket cylinder)	530	530
Arm 2.52 m (with bucket cylinder)	610	610
Arm 3.01 m (with bucket cylinder)	680	680
Bucket ISO 7451 : 2007 0.52 m ³	410	410

BUCKET AND ARM DIGGING FORCE

Unit: kN

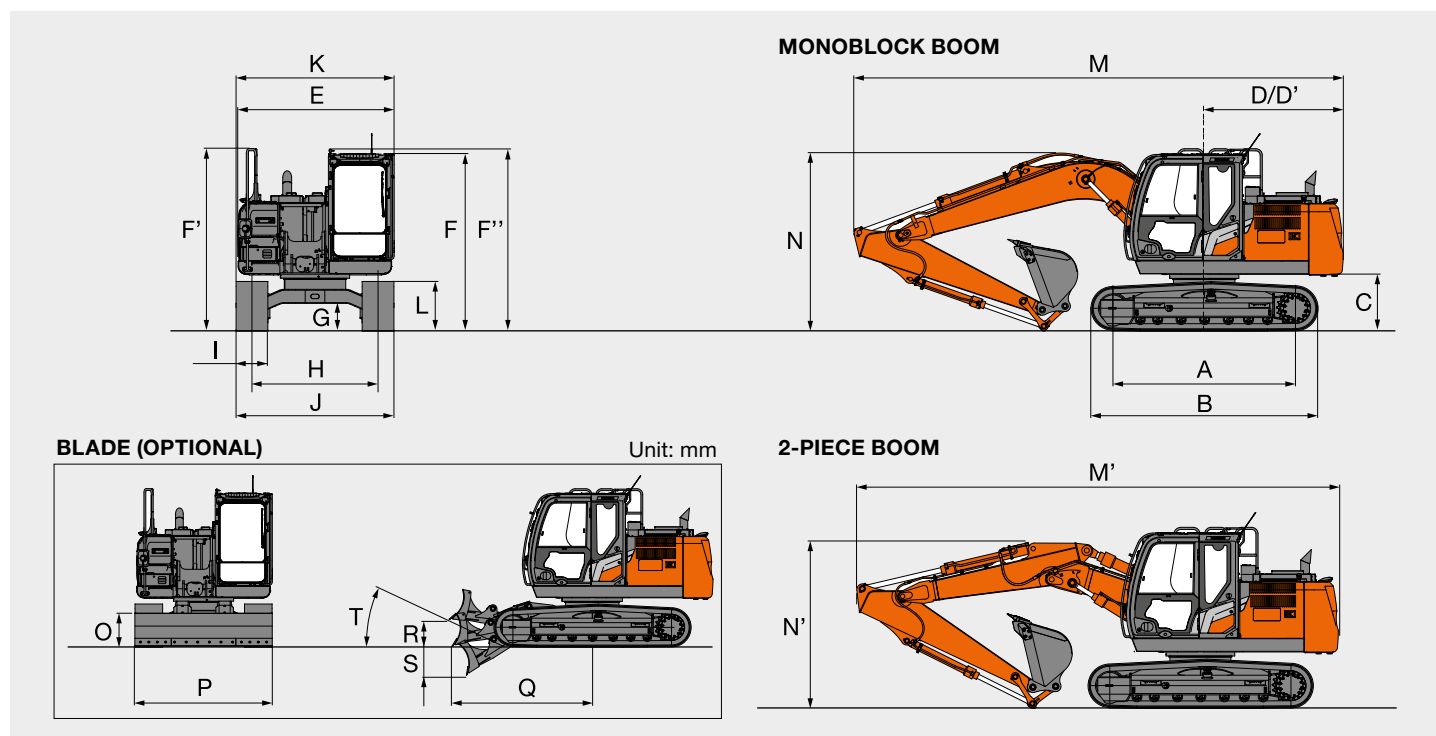
Arm length	ZX130-7 / ZX130LCN-7			ZX135US-7		
	2.10 m	2.52 m	3.01 m	2.10 m	2.52 m	3.01 m
Bucket digging force* ISO 6015 : 2006	104	104	104	104	104	104
Arm crowd force* ISO 6015 : 2006	77	69	61	77	69	61

* At power boost

SPECIFICATIONS

ZX130-7 / ZX130LCN-7

DIMENSIONS



Unit: mm

	ZX130-7	ZX130LCN-7
A Distance between tumblers	2 880	3 050
B Undercarriage length	3 580	3 750
*1 C Counterweight clearance	840	840
D Rear-end swing radius	2 190	2 190
D' Rear-end length	2 190	2 190
E Overall width of upperstructure	2 460	2 460
F Overall height of cab	2 790	2 790
F' Overall height of handrail	2 870	2 870
F'' Overall height of handrail (on cab)	2 870	2 870
*1 G Min. ground clearance	410	410
H Track gauge	1 990	1 990
I Track shoe width	G 500	G 500
J Undercarriage width	2 490	2 490
K Overall width	2 490	2 490
*1 L Track height with triple grouser shoes	790	790
MONOBLOCK BOOM		
M Overall length		
With arm 2.10 m	7 700	7 700
With arm 2.52 m	7 700	7 700
With arm 3.01 m	7 710	7 710
N Overall height of boom		
With arm 2.10 m	2 670	2 670
With arm 2.52 m	2 800	2 800
*2 With arm 3.01 m	2 680	2 680
2-PIECE BOOM		
M' Overall length		
With arm 2.10 m	7 650	7 650
With arm 2.52 m	7 650	7 650
With arm 3.01 m	7 650	7 650
N' Overall height of boom		
With arm 2.10 m	2 490	2 490
With arm 2.52 m	2 650	2 650
*2 With arm 3.01 m	2 610	2 610
O Blade height	600	600
P Blade width	2 490	2 490
Q Distance between the front end of blade and the axis of rotation	2 540	2 540
R Blade maximum lifting	480	480
S Blade maximum lowering	530	530
T Blade approach angle	23 °	23 °

*1 Excluding track shoe lug

*2 The dimensions asterisked are for transport pin position

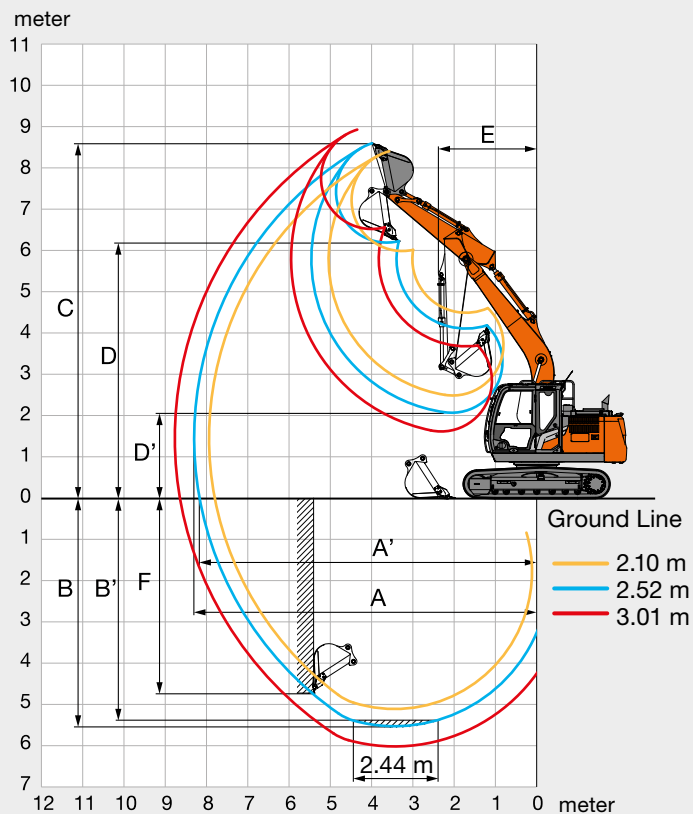
G: Triple grouser shoe

SPECIFICATIONS

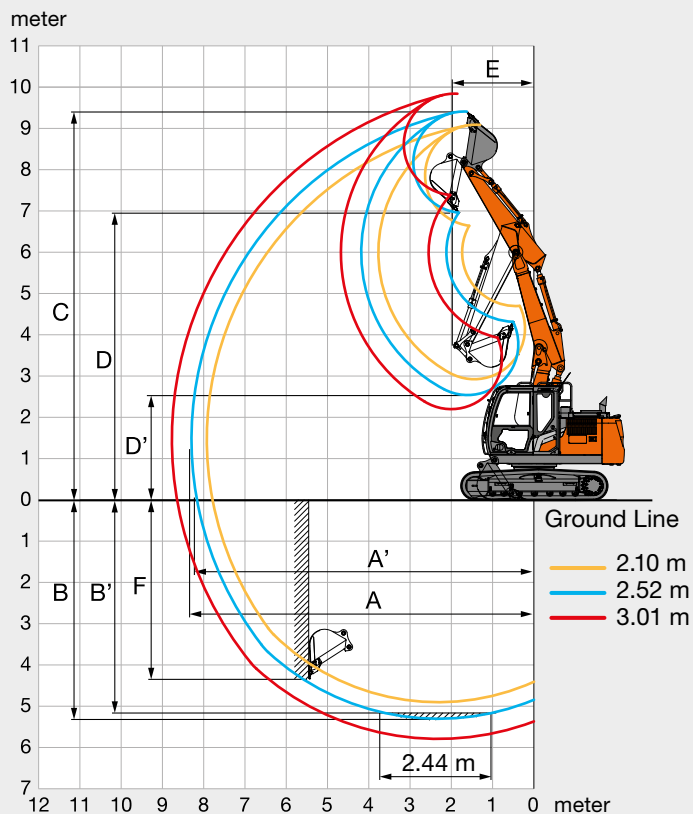
ZX130-7 / ZX130LCN-7

WORKING RANGES

MONOBLOCK BOOM



2-PIECE BOOM



Unit: mm

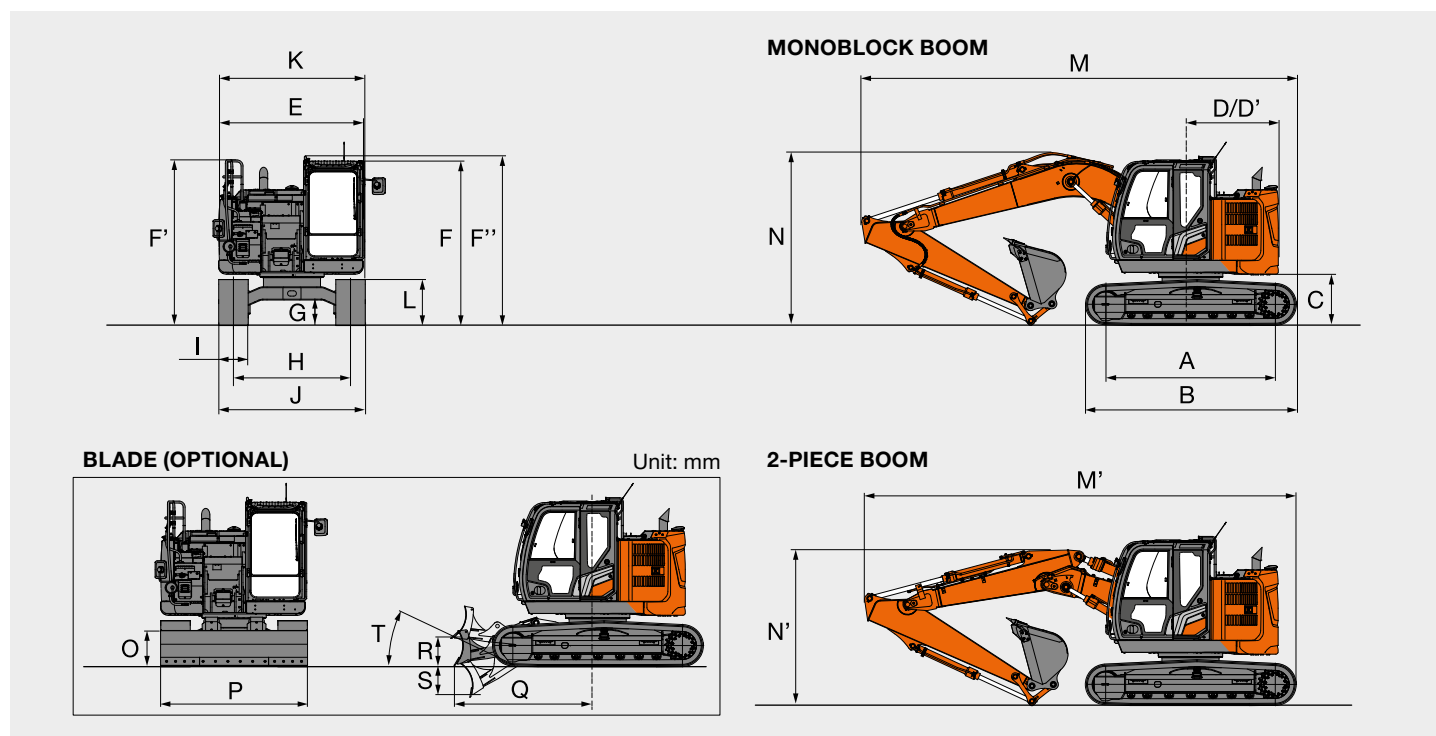
Front Type	ZX130 ₇ / ZX130LCN ₇					
	Monoblock boom			2-Piece boom		
Arm length	2.10 m	2.52 m	3.01 m	2.10 m	2.52 m	3.01 m
A Max. digging reach	7 940	8 300	8 770	7 930	8 300	8 780
A' Max. digging reach (on ground)	7 800	8 170	8 650	7 800	8 180	8 660
B Max. digging depth	5 120	5 540	6 030	4 910	5 310	5 800
B' Max. digging depth for 2.44 m level	4 870	5 310	5 840	4 770	5 180	5 680
C Max. cutting height	8 400	8 600	8 930	9 100	9 420	9 850
D Max. dumping height	5 990	6 190	6 520	6 640	6 960	7 390
D' Min. dumping height	2 490	2 070	1 610	2 920	2 540	2 200
E Min. swing radius	2 380	2 400	2 620	1 780	1 850	2 040
F Max. vertical wall digging depth	4 450	4 750	5 220	3 980	4 330	4 810

Excluding track shoe lug

SPECIFICATIONS

ZX135US-7

DIMENSIONS



Unit: mm

	ZX135US-7
A Distance between tumblers	2 880
B Undercarriage length	3 580
*1 C Counterweight clearance	830
D Rear-end swing radius	1 490
D' Rear-end length	1 490
E Overall width of upperstructure	2 480
F Overall height of cab	2 790
F' Overall height of handrail	2 810
F'' Overall height of handrail (on cab)	2 870
*1 G Min. ground clearance	410
H Track gauge	1 990
I Track shoe width	G 500
J Undercarriage width	2 490
K Overall width	2 490
*1 L Track height with triple grouser shoes	790
MONOBLOCK BOOM	
M Overall length	
With arm 2.10 m	7 370
With arm 2.52 m	7 370
With arm 3.01 m	7 400
N Overall height of boom	
With arm 2.10 m	2 780
With arm 2.52 m	2 930
*2 With arm 3.01 m	2 850
2-PIECE BOOM	
M' Overall length	
With arm 2.10 m	7 330
With arm 2.52 m	7 310
With arm 3.01 m	7 310
N' Overall height of boom	
With arm 2.10 m	2 510
With arm 2.52 m	2 660
*2 With arm 3.01 m	2 600
O Blade height	600
P Blade width	2 490
Q Distance between the front end of blade and the axis of rotation	2 430
R Blade maximum lifting	460
S Blade maximum lowering	540
T Blade approach angle	26 °

*1 Excluding track shoe lug

*2 The dimensions asterisked are for transport pin position

G: Triple grouser shoe

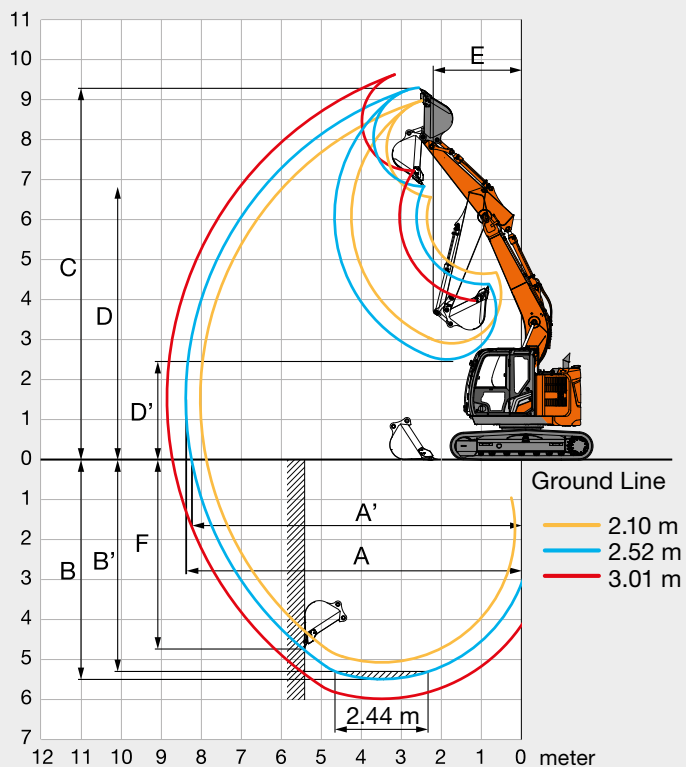
SPECIFICATIONS

ZX135US-7

WORKING RANGES

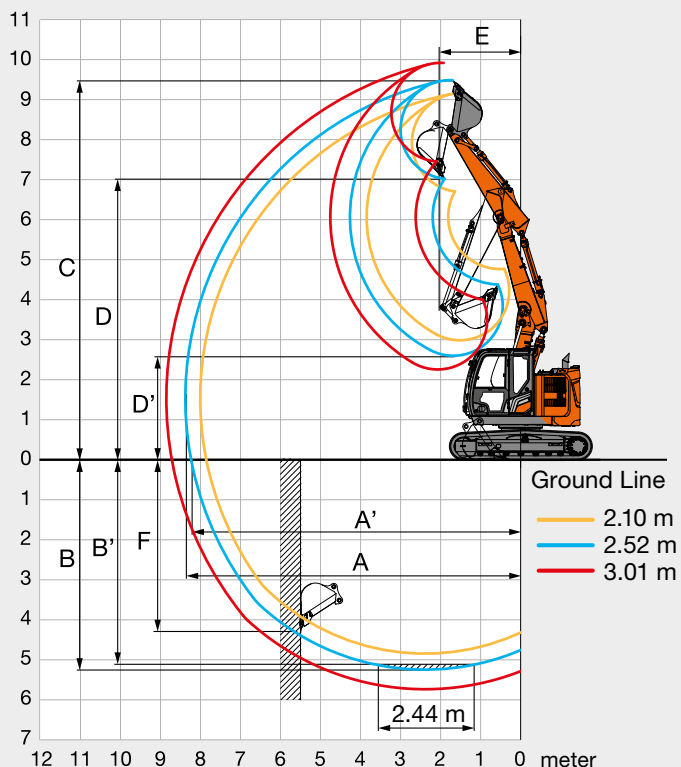
MONOBLOCK BOOM

meter



2-PIECE BOOM

meter



Unit: mm

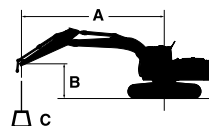
Front Type	ZX135US-7					
	Monoblock boom			2-Piece boom		
Arm length	2.10 m	2.52 m	3.01 m	2.10 m	2.52 m	3.01 m
A Max. digging reach	8 050	8 380	8 850	8 000	8 370	8 850
A' Max. digging reach (on ground)	7 900	8 240	8 720	7 850	8 230	8 720
B Max. digging depth	5 070	5 490	5 980	4 840	5 240	5 730
B' Max. digging depth for 2.44 m level	4 840	5 270	5 790	4 710	5 120	5 620
C Max. cutting height	9 010	9 290	9 680	9 160	9 480	9 910
D Max. dumping height	6 550	6 830	7 230	6 710	7 020	7 450
D' Min. dumping height	2 910	2 510	2 130	2 990	2 600	2 260
E Min. swing radius	2 100	2 190	2 540	1 850	1 930	2 100
F Max. vertical wall digging depth	4 410	4 710	5 170	3 920	4 270	4 750

Excluding track shoe lug

MACHINE CAPACITIES

ZX130-7 / ZX130LCN-7

- Notes: 1. Ratings are based on ISO 10567 : 2007.
 2. Lifting capacity does not exceed 75% of tipping load with the machine on firm, level ground or 87% full hydraulic capacity.
 3. The load point is the center-line of the bucket pivot mounting pin on the arm.
 4. *Indicates load limited by hydraulic capacity.
 5. 0 m = Ground.



- A: Load radius
 B: Load point height
 C: Machine capacity

For machine capacities, subtract installed attachment and quick hitch weight from machine capacities.

To determine lifting capacities, apply "Rating over-side or 360 degrees" machine capacities from the table and deduct weight of installed attachment and quick hitch.

Optional feature may affect machine performance.

ZX130-7 MONOBLOCK BOOM

Rating over-front Rating over-side or 360 degrees Unit : kg

Conditions	Load point height m	Load radius										At max. reach		
		1.5 m		3.0 m		4.5 m		6.0 m		7.5 m				meter
Boom 4.60 m Arm 2.10 m Counterweight 3 000 kg	4.5					*3 970	*3 970					*2 780	2 640	5.96
	3.0			*6 750	*6 750	*4 730	3 930	3 650	2 570			*2 750	2 250	6.52
	1.5					5 460	3 710	3 560	2 480			*2 890	2 110	6.71
	0 (Ground)			*5 610	*5 610	5 290	3 560	3 490	2 420			3 090	2 150	6.54
	-1.5	*4 880	*4 880	*8 820	6 430	5 250	3 520	3 480	2 410			3 480	2 410	6.00
	-3.0			*7 210	6 550	*4 900	3 590					*4 180	3 180	4.95
Boom 4.60 m Arm 2.52 m Counterweight 3 000 kg	4.5					*3 560	*3 560	*3 330	2 630			*2 290	*2 290	6.36
	3.0			*5 890	*5 890	*4 340	3 950	3 640	2 560			*2 280	2 050	6.90
	1.5			*8 070	6 680	*5 320	3 710	3 540	2 460			*2 410	1 930	7.07
	0 (Ground)			*6 490	6 360	5 260	3 530	3 450	2 380			*2 700	1 960	6.92
	-1.5	*4 630	*4 630	*9 100	6 320	5 190	3 460	3 410	2 350			3 120	2 160	6.40
	-3.0	*8 530	*8 530	*7 790	6 420	5 230	3 500					3 980	2 730	5.44
Boom 4.60 m Arm 3.01 m Counterweight 3 000 kg	6.0											*2 110	*2 110	5.97
	4.5					*3 080	*3 080	*3 130	2 660			*1 970	*1 970	6.88
	3.0			*4 890	*4 890	*3 890	*3 890	*3 440	2 580			*1 970	1 840	7.38
	1.5			*7 670	6 830	*4 940	3 740	3 540	2 460	*2 230	1 750	*2 060	1 740	7.54
	0 (Ground)			*7 100	6 360	5 260	3 520	3 430	2 360			*2 280	1 750	7.39
	-1.5	*4 090	*4 090	*8 890	6 240	5 140	3 410	3 370	2 300			*2 700	1 900	6.92
	-3.0	*7 150	*7 150	*8 340	6 290	5 140	3 420	3 400	2 330			3 370	2 310	6.04
	-4.5			*6 030	*6 030	*3 710	3 570					*3 700	3 570	4.50

ZX130LCN-7 MONOBLOCK BOOM

Rating over-front Rating over-side or 360 degrees Unit : kg

Conditions	Load point height m	Load radius										At max. reach		
		1.5 m		3.0 m		4.5 m		6.0 m		7.5 m				meter
Boom 4.60 m Arm 2.10 m Counterweight 3 000 kg	4.5					*3 970	*3 970					*2 780	2 660	5.96
	3.0			*6 750	*6 750	*4 730	3 950	3 930	2 580			*2 750	2 270	6.52
	1.5					*5 620	3 730	3 840	2 500			*2 890	2 130	6.71
	0 (Ground)			*5 610	*5 610	5 770	3 590	3 770	2 430			*3 250	2 170	6.54
	-1.5	*4 880	*4 880	*8 820	6 470	5 720	3 550	3 760	2 430			3 760	2 430	6.00
	-3.0			*7 210	6 590	*4 900	3 620					*4 180	3 200	4.95
Boom 4.60 m Arm 2.52 m Counterweight 3 000 kg	4.5					*3 560	*3 560	*3 330	2 640			*2 290	*2 290	6.36
	3.0			*5 890	*5 890	*4 340	3 970	*3 740	2 580			*2 280	2 070	6.90
	1.5			*8 070	6 720	*5 320	3 730	3 820	2 480			*2 410	1 940	7.07
	0 (Ground)			*6 490	6 400	5 740	3 550	3 730	2 390			*2 700	1 970	6.92
	-1.5	*4 630	*4 630	*9 100	6 360	5 660	3 480	3 700	2 360			*3 290	2 170	6.40
	-3.0	*8 530	*8 530	*7 790	6 460	*5 290	3 520					*4 040	2 750	5.44
Boom 4.60 m Arm 3.01 m Counterweight 3 000 kg	6.0											*2 110	*2 110	5.97
	4.5					*3 080	*3 080	*3 130	2 680			*1 970	*1 970	6.88
	3.0			*4 890	*4 890	*3 890	*3 890	*3 440	2 590			*1 970	1 850	7.38
	1.5			*7 670	6 870	*4 940	3 760	3 830	2 480	*2 230	1 760	*2 060	1 750	7.54
	0 (Ground)			*7 100	6 400	5 740	3 540	3 710	2 370			*2 280	1 760	7.39
	-1.5	*4 090	*4 900	*8 890	6 280	5 620	3 440	3 650	2 320			*2 700	1 920	6.92
	-3.0	*7 150	*7 150	*8 340	6 330	*5 590	3 440	3 680	2 340			*3 620	2 330	6.04
	-4.5			*6 030	*6 030	*3 710	3 600					*3 700	3 590	4.50

ZX130-7 2-PIECE BOOM

Rating over-front Rating over-side or 360 degrees Unit : kg

Conditions	Load point height m	Load radius										At max. reach		
		1.5 m		3.0 m		4.5 m		6.0 m		7.5 m				meter
2-Piece Boom Arm 2.10 m Counterweight 3 000 kg	7.5											*4 560	*4 560	2.64
	6.0			*4 810	*4 810	*4 210	4 180					*3 130	*3 130	4.86
	4.5			*5 120	*5 120	*4 310	*4 220					*2 800	2 610	5.95
	3.0	*10 630	*10 630	*8 140	7 470	*4 820	*4 130	*3 660	2 590			*2 730	2 220	6.52
	1.5	*8 810	*8 810	*9 170	*7 220	5 580	4 090	3 620	2 520			*2 840	2 070	6.70
	0 (Ground)	*9 060	*9 060	*9 460	7 050	*5 600	3 850	3 520	2 420			*3 070	2 110	6.54
	-1.5	*13 540	*13 540	*9 620	6 720	5 400	3 620					*3 150	2 370	5.99
	-3.0	*17 030	*17 030	*7 920	6 610	*3 720	3 570					*3 180	*3 180	4.68
2-Piece Boom Arm 2.52 m Counterweight 3 000 kg	7.5			*4 160	*4 160							*3 300	*3 300	3.50
	6.0			*3 840	*3 840	*3 840	*3 840					*2 530	*2 520	5.37
	4.5			*3 900	*3 900	*4 030	*4 030	*3 220	2 640			*2 300	*2 300	6.37
	3.0	*10 600	*10 600	*7 020	*7 020	*4 500	4 120	*3 430	2 630			*2 270	2 010	6.90
	1.5	*10 620	*10 620	*9 160	7 240	*5 410	*4 000	3 610	2 550			*2 370	1 890	7.07
	0 (Ground)	*9 260	*9 260	*9 360	7 140	5 460	3 870	3 520	2 420			*2 620	1 910	6.92
	-1.5	*12 090	*12 090	*9 460	6 720	5 410	3 620	3 420	2 330			*3 080	2 120	6.41
	-3.0	*15 360	*15 360	*8 840	6 550	*4 900	3 500					*2 680	*2 680	5.36
2-Piece Boom Arm 3.01 m Counterweight 3 000 kg	7.5					*3 300	*3 300					*2 640	*2 640	4.40
	6.0					*3 460	*3 460	*3 080	2 710			*2 150	*2 150	5.98
	4.5					*3 460	*3 460	*3 080	2 710			*1 980	*1 980	6.89
	3.0			*4 540	*4 540	*4 180	4 120	*3 220	2 700			*1 960	1 800	7.38
	1.5	*11 190	*11 190	*8 800	*7 250	*4 990	3 990	*3 510	2 610	*2 250	1 720	*2 030	1 700	7.55
	0 (Ground)	*10 050	*10 050	*9 260	7 010	*5 430	3 920	*3 530	2 460			*2 220	1 710	7.40
	-1.5	*11 130	*11 130	*9 330	6 750	5 480	3 680	3 430	2 330			*2 590	1 860	6.93
	-3.0	*14 190	*14 190	*9 410	6 560	5 250	3 470	*2 560	2 290			*2 400	2 270	6.05
-4.5	*11 670	*11 670	*5 300	*5 300							*4 940	*4 940	3.13	

ZX130LCN-7 2-PIECE BOOM

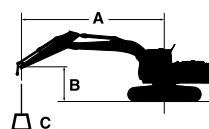
Rating over-front Rating over-side or 360 degrees Unit : kg

Conditions	Load point height m	Load radius										At max. reach		
		1.5 m		3.0 m		4.5 m		6.0 m		7.5 m				meter
2-Piece Boom Arm 2.10 m Counterweight 3 000 kg	7.5											*4 560	*4 560	2.64
	6.0			*4 810	*4 810	*4 210	4 200					*3 130	*3 130	4.86
	4.5			*5 120	*5 120	*4 310	4 240					*2 800	2 630	5.95
	3.0	*10 630	*10 630	*8 140	7 500	*4 820	4 150	*3 660	2 610			*2 730	2 230	6.52
	1.5	*8 810	*8 810	*9 170	7 260	*5 800	4 120	3 890	2 530			*2 840	2 090	6.70
	0 (Ground)	*9 060	*9 060	*9 460	7 090	5 940	3 870	3 800	2 430			*3 150	2 130	6.54
	-1.5	*13 540	*13 540	*9 620	6 770	5 890	3 640					*3 150	2 390	5.99
	-3.0	*17 030	*17 030	*7 920	6 650	*3 720	3 590					*3 180	*3 180	4.68
2-Piece Boom Arm 2.52 m Counterweight 3 000 kg	7.5			*4 160	*4 160							*3 300	*3 300	3.50
	6.0			*3 840	*3 840	*3 840	*3 840					*2 520	*2 520	5.37
	4.5			*3 900	*3 900	*4 030	*4 030	*3 220	2 650			*2 300	*2 300	6.37
	3.0	*10 600	*10 600	*7 020	*7 020	*4 500	4 140	*3 430	*2 650			*2 270	2 030	6.90
	1.5	*10 620	*10 620	*9 160	7 260	*5 410	*4 000	*3 720	2 560			*2 370	1 900	7.07
	0 (Ground)	*9 260	*9 260	*9 360	7 180	*5 900	3 890	3 810	2 440			*2 620	1 930	6.92
	-1.5	*12 090	*12 090	*9 460	6 760	5 870	3 640	3 710	2 340			*3 080	2 130	6.41
	-3.0	*15 360	*15 360	*8 840	6 590	*4 900	3 520					*2 680	*2 680	5.36
2-Piece Boom Arm 3.01 m Counterweight 3 000 kg	7.5					*3 300	*3 300					*2 640	*2 640	4.40
	6.0					*3 460	*3 460	*3 080	2 730			*2 150	*2 150	5.98
	4.5					*3 460	*3 460	*3 080	2 730			*1 980	*1 980	6.89
	3.0			*4 540	*4 540	*4 180	*4 130	*3 220	2 710			*1 960	1 820	7.38
	1.5	*11 190	*11 190	*8 800	7 290	*4 990	4 000	*3 510	2 620	*2 250	1 730	*2 030	1 710	7.55
	0 (Ground)	*10 050	*10 050	*9 260	7 050	5 840	3 940	*3 780	2 480			*2 220	1 720	7.40
	-1.5	*11 130	*11 130	*9 330	6 790	*5 870	3 700	3 710	2 340			*2 590	1 880	6.93
	-3.0	*14 190	*14 190	*9 410	6 610	*5 660	3 500	*2 560	2 310			*2 400	2 290	6.05
-4.5	*11 670	*11 670	*5 300	*5 300							*4 940	*4 940	3.13	

MACHINE CAPACITIES

ZX135US-7

- Notes: 1. Ratings are based on ISO 10567 : 2007.
 2. Lifting capacity does not exceed 75% of tipping load with the machine on firm, level ground or 87% full hydraulic capacity.
 3. The load point is the center-line of the bucket pivot mounting pin on the arm.
 4. *Indicates load limited by hydraulic capacity.
 5. 0 m = Ground.



- A: Load radius
 B: Load point height
 C: Machine capacity

For machine capacities, subtract installed attachment and quick hitch weight from machine capacities.

To determine lifting capacities, apply "Rating over-side or 360 degrees" machine capacities from the table and deduct weight of installed attachment and quick hitch.

Optional feature may affect machine performance.

ZX135US-7 MONOBLOCK BOOM

Rating over-front Rating over-side or 360 degrees Unit : kg

Conditions	Load point height m	Load radius										At max. reach		
		1.5 m		3.0 m		4.5 m		6.0 m		7.5 m				meter
Boom 4.60 m Arm 2.10 m Counterweight 3 550 kg	6.0					*4 130	3 640					*2 970	*2 970	5.01
	4.5			*5 020	*5 020	*4 290	3 580	*3 120	2 240			*2 700	2 200	6.07
	3.0			*7 460	6 270	*5 060	3 390	3 280	2 190			*2 670	1 870	6.62
	1.5					4 890	3 160	3 180	2 100			2 650	1 750	6.79
	0 (Ground)			*5 290	*5 290	4 730	3 010	3 110	2 040			2 710	1 790	6.61
	-1.5	*4 990	*4 990	*8 590	5 470	4 690	2 980	3 100	2 030			3 070	2 010	6.05
	-3.0			*6 630	5 600	*4 550	3 060					*3 790	2 690	4.98
Boom 4.60 m Arm 2.52 m Counterweight 3 550 kg	6.0					*3 640	*3 640					*2 400	*2 400	5.50
	4.5			*3 900	*3 900	*3 880	3 620	3 350	2 260			*2 230	1 970	6.48
	3.0			*6 570	6 430	*4 690	3 410	3 270	2 190			*2 220	1 700	6.99
	1.5			*6 760	5 680	4 900	3 160	3 160	2 080			*2 340	1 590	7.15
	0 (Ground)			*6 100	5 380	4 700	2 980	3 070	2 000			2 470	1 610	6.98
	-1.5	*4 690	*4 690	*9 000	5 360	4 620	2 910	3 040	1 970			2 750	1 790	6.46
	-3.0	*8 580	*8 580	*7 340	5 470	4 670	2 960					3 530	2 290	5.47
Boom 4.60 m Arm 3.01 m Counterweight 3 550 kg	6.0					*3 110	*3 110	*2 330	2 290			*2 060	*2 060	6.10
	4.5					*3 400	*3 400	*3 320	2 290			*1 920	1 740	6.99
	3.0			*5 230	*5 230	*4 240	3 470	3 290	2 200			*1 920	1 510	7.47
	1.5			*8 340	5 830	4 940	3 190	3 160	2 080	2 240	1 460	*2 010	1 420	7.62
	0 (Ground)			*6 600	5 370	4 690	2 970	3 050	1 970			2 220	1 440	7.46
	-1.5	*4 110	*4 110	*8 590	5 270	4 580	2 870	2 990	1 920			2 430	1 570	6.97
	-3.0	*7 170	*7 170	*8 030	5 330	4 590	2 870	3 020	1 950			2 980	1 920	6.07
	-4.5			*5 290	*5 290	*3 190	3 040					*3 180	3 030	4.51

ZX135US-7 2-PIECE BOOM

Rating over-front Rating over-side or 360 degrees Unit : kg

Conditions	Load point height m	Load radius										At max. reach		
		1.5 m		3.0 m		4.5 m		6.0 m		7.5 m				meter
2-Piece Boom Arm 2.10 m Counterweight 3 550 kg	7.5											*4 410	*4 410	2.86
	6.0			*4 780	*4 780	*4 280	3 690					*3 110	3 030	4.99
	4.5			*5 150	*5 150	*4 370	3 770	*3 130	2 220			*2 790	2 180	6.05
	3.0	*10 980	*10 980	*8 560	6 700	*4 940	3 660	3 340	2 230			*2 740	1 840	6.60
	1.5	*7 180	*7 180	*9 360	6 390	5 110	3 550	3 260	2 150			2 640	1 720	6.77
	0 (Ground)	*8 830	*8 830	*9 700	6 070	5 100	3 300	3 150	2 050			2 710	1 760	6.59
	-1.5	*13 340	*13 340	*9 870	5 770	4 850	3 080	3 100	2 000			3 080	1 990	6.03
	-3.0	*16 930	*16 930	*7 970	5 670	*3 700	3 040					*3 320	2 930	4.63
2-Piece Boom Arm 2.52 m Counterweight 3 550 kg	7.5			*4 270	*4 270							*3 230	*3 230	3.68
	6.0					*3 880	3 750					*2 510	*2 510	5.49
	4.5			*3 890	*3 890	*4 090	3 790	*3 300	2 290			*2 300	1 950	6.47
	3.0			*7 380	6 710	*4 610	3 670	3 360	2 270			*2 270	1 670	6.98
	1.5	*11 640	*11 640	*9 300	*6 400	5 090	3 600	3 290	2 180			*2 370	1 560	7.14
	0 (Ground)	*8 880	*8 880	*9 590	6 150	5 120	3 320	3 160	2 050			2 460	1 580	6.97
	-1.5	*11 850	*11 850	9 730	5 750	4 860	3 090	3 050	1 960			2 750	1 760	6.45
	-3.0	*14 820	*14 820	*8 990	5 610	4 730	2 970					*2 700	2 320	5.36
2-Piece Boom Arm 3.01 m Counterweight 3 550 kg	7.5					*2 730	*2 730					*2 600	*2 600	4.56
	6.0					*3 300	*3 300	*2 420	2 280			*2 140	*2 140	6.10
	4.5					*3 480	*3 480	*3 110	2 370			*1 980	1 710	6.99
	3.0			*4 740	*4 740	*4 270	3 700	*3 270	2 350			*1 960	1 490	7.47
	1.5	*11 020	*11 020	*9 120	6 450	5 060	3 520	3 280	2 250	2 230	1 440	*2 030	1 390	7.62
	0 (Ground)	*9 370	*9 370	9 500	6 300	4 950	3 370	3 200	2 100			2 210	1 400	7.46
	-1.5	*10 840	*10 840	*9 580	5 780	4 920	3 130	3 060	1 960			2 420	1 540	6.97
	-3.0	*13 830	*13 830	*9 640	5 610	4 700	2 940	*2 600	1 920			*2 380	1 900	6.07
	-4.5											*6 650	*6 650	2.50

EQUIPMENT

ENGINE	ZX130-7 / ZX130LCN-7	ZX135US-7
Aftertreatment device	●	●
Air cleaner double filters	●	●
Alternator 60 A	●	●
Auto idle system	●	●
Auto shut-down control	●	●
Belt auto tensioner	●	●
Cartridge-type engine oil filter	●	●
Cartridge-type fuel main filter	●	●
Cold fuel resistance valve	○	○
ConSite OIL (sensor)*	●	●
Dry-type air filter with evacuator valve (with air filter restriction indicator)	●	●
Dust-proof indoor net	●	●
ECO/PWR mode control	●	●
Electrical fuel feed pump	●	●
Engine oil drain coupler	●	●
Expansion tank	●	●
Fan guard	●	●
Fuel cooler	●	●
Fuel pre-filter with water separator	●	●
Isolation-mounted engine	●	●
Maintenance free pre-cleaner	○	○
Oil separator	●	●
Radiator, oil cooler and intercooler	●	●

HYDRAULIC SYSTEM		
Auto power lift	●	●
ConSite OIL (sensor)*	●	●
Control valve with main relief valve	●	●
Extra port for control valve	●	●
High mesh full flow filter	●	●
Restriction indicator for full flow filter	○	○
Hose rupture valve for arm cylinder	●	●
Hose rupture valve for boom cylinder	●	●
Pilot filter	●	●
Power boost	●	●
Suction filter	●	●
Variable reliefvalve for breaker and crusher	●	●
Work mode selector	●	●

CAB	ZX130-7 / ZX130LCN-7	ZX135US-7
All-weather sound suppressed steel cab	●	●
Auto control air conditioner	●	●
AUX function lever (breaker assist)	○	○
Bluetooth® integrated DAB+radio	●	●
Console height adjustment	●	●
Control lever auto-lock	●	●
CRES VII (center pillar reinforced structure) cab	●	●
Cab with P5A glass and roof wiper	○	○
Drink holder with hot and cool function	●	●
Electric double horn	●	●
Engine shut-off switch	●	●
Equipped with reinforced, tinted (green color) glass windows	●	●
Evacuation hammer	●	●
Floor mat	●	●
Footrest	●	●
Front window washer (2 points)	●	●
Glove compartment	●	●
Hands-free calling device	●	●
Hot and cool box	●	—
Intermittent windshield wipers	●	●
Key cylinder light	●	●
Laminated round glass window	○	○
LED room light	●	●
Magazine rack	●	●
OPG front guard Level II (ISO 10262 : 1998) compliant	○	○
OPG top guard Level I (ISO 10262 : 1998) compliant	●	●
OPG top guard Level II (ISO 10262 : 1998) compliant	○	○
Pilot shut-off lever	●	●
Power outlet 12 V and 24 V	●	●
Push button low idle	●	●
Rain guard (without OPG front guard)	●	●
Rear tray	●	●
Retractable seat belt	●	●
ROPS (ISO 12117-2 : 2008) compliant cab	●	●
Rubber radio antenna	●	●
Seat : air suspension seat with heater	●	●
Seat adjustment part : backrest, armrest, height and angle, slide forward / back	●	●
Seat belt reminder	●	●
Short wrist control levers	●	●
Smartphone holder	●	●
Sunscreen roller type (multi-use front or side and rear window)	○	○
Transparent roof with slide curtain	●	●
5V USB power supply	●	●
Wide view wiper	●	●
Windows on front, upper, lower and left side can be opened	●	●
2 speakers	●	●
4 fluid-filled elastic mounts	●	●
8 inch monitor	●	●

*Engine oil and hydraulic oil monitoring sensor.

● : Standard equipment ○ : Optional equipment — : Not applicable

MONITOR SYSTEM	ZX130-7 / ZX130LCN-7	ZX135US-7
Alarms: overheat, engine warning, engine oil pressure, alternator, minimum fuel level, hydraulic filter restriction, air filter restriction, work mode, overload, etc	●	●
Alarm buzzers: overheat, engine oil pressure, overload, etc	●	●
Display of meters: water temperature, hour, fuel rate, clock, etc	●	●
Other displays: work mode, auto-idle, glow, rearview monitor, operating conditions, etc	●	●
35 languages selection	●	●

LIGHTS		
Additional boom LED light with cover	○	○
Additional cab roof front LED lights	○	○
Additional cab roof rear LED light	○	○
LED lights for camera (side and rear view camera)	○	○
Rotating lamp	○	○
2 working LED lights	●	●

UPPER STRUCTURE		
Aerial Angle® (270-degree view camera system)	●	●
Batteries 2 x 74 Ah	●	●
Battery disconnect switch	●	●
Cab top handhold	●	●
Body top handrail	●	●
Counterweight 3 000 kg	●	—
Counterweight 3 550 kg	—	●
Electric fuel refilling pump with auto stop and filter	●	●
Fuel level float	●	●
Hydraulic oil level gauge	●	●
Lockable fuel refilling cap	●	●
Lockable machine covers	●	●
Lockable tool box	●	●
Platform handrail	●	●
Side view mirror (right and left)	●	●
Skid-resistant plates	●	●
Swing parking brake	●	●
Undercover	●	●

UNDERCARRIAGE	ZX130-7 / ZX130LCN-7	ZX135US-7
Bolt-on sprocket	●	●
Blade 2 490 mm, 2 690 mm	○ / —	○
Greasing type track adjuster	●	●
Reinforced track links with pin seals	●	●
Shoe: 500 mm pad crawler	○	○
Shoe: 500 mm triple grouser	●	●
Shoe: 600, 700 mm triple grouser	○	○
Towing hole for light weight object	●	●
Track undercover	●	●
Travel direction mark on track frame	●	●
Travel motor covers	●	●
Travel parking brake	●	●
Upper and lower rollers	●	●
1 track guard (each side)	●	●
2 track guards (each side)	○	○
4 tie down brackets	●	●

FRONT ATTACHMENTS		
Arm tip remote lubrication	●	●
Casted bucket link A	●	●
Centralized lubrication system	●	●
Dirt seal on all bucket pins	●	●
Flanged pin	●	●
HN bushing	●	●
Lower arm reinforcement	○	○
Reinforced bucket link B	○	○
Reinforced resin thrust plate	●	●
STD bucket Link B	●	●
WC (tungsten-carbide) thermal spraying	●	●
Welded bucket link A with welded hook	○	○

ATTACHMENTS		
Accessories for 2 speed selector	○	○
Additional pump or PTO valve	○	○
Assist piping	○	○
Breaker and crusher piping	●	●
Pilot accumulator	●	●

MISCELLANEOUS		
ConSite	○	○
Global e-service	●	●
Onboard information controller	●	●
Standard tool kit	●	●

Standard and optional equipment may vary by country, so please consult your Hitachi dealer for details.

Prior to operating this machine, including satellite communication system, in a country other than a country of its intended use, it may be necessary to make modifications to it so that it complies with the local regulatory standards (including safety standards) and legal requirements of that particular country. Please do not export or operate this machine outside the country of its intended use until such compliance has been confirmed. Please contact your Hitachi dealer in case of questions about compliance.

These specifications are subject to change without notice.

Illustrations and photos show the standard models, and may or may not include optional equipment, accessories, and all standard equipment with some differences in color and features. Before use, read and understand the Operator's Manual for proper operation.

